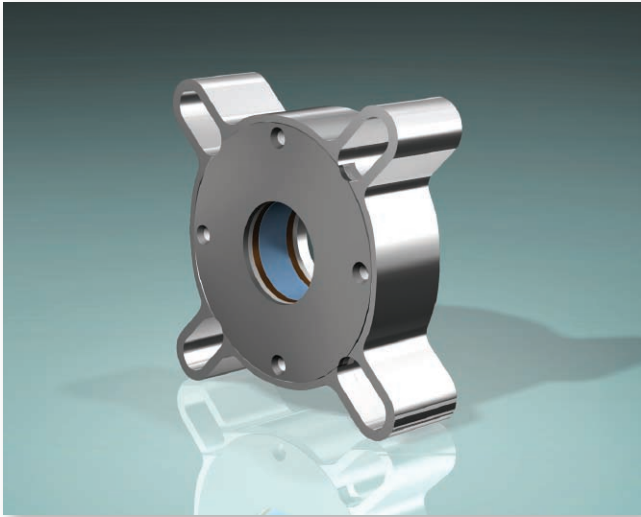




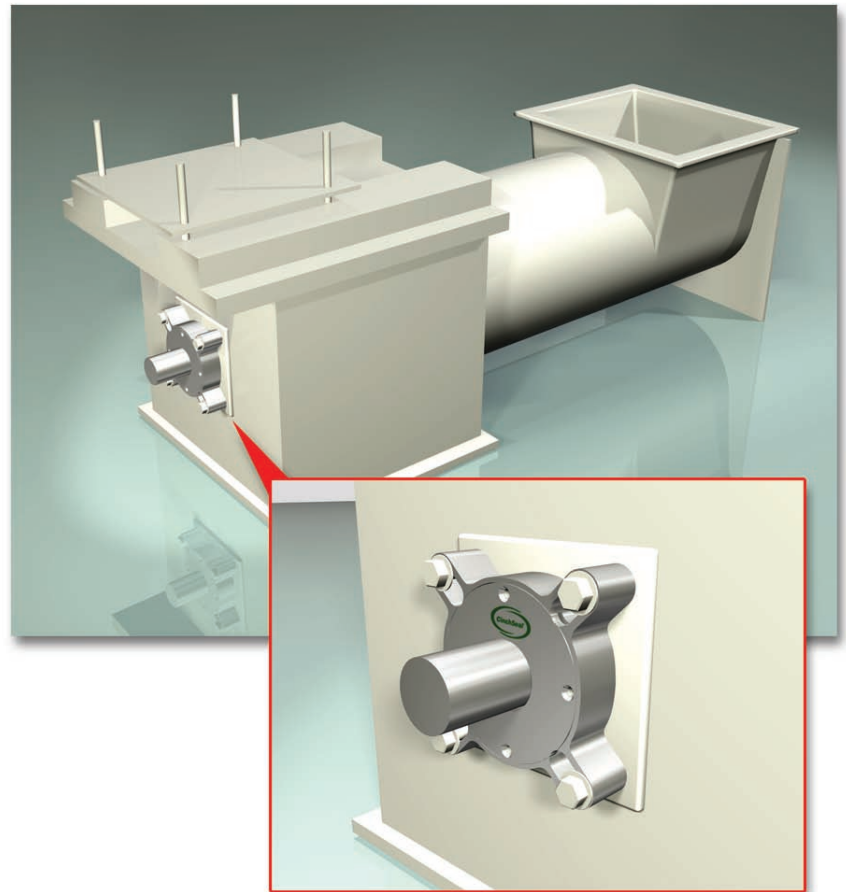
THE NEW STAINLESS STEEL CINCHSEALS ARE IN!!!

7800 Series CinchSeals
No Maintenance



The newly designed 7800 Series **CinchSeal**® for screw conveyors and other bulk handling equipment are made out of 316 SS to handle dry and slurry products in the food service, pharmaceutical and chemical industries where stainless steel is a requirement.

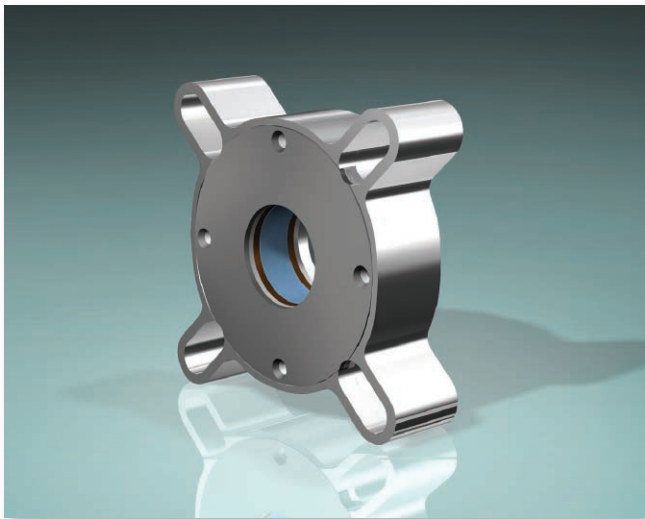
- Zero Maintenance due to unique self adjusting design
- Manufactured out of 316 SS to handle caustic wash downs
- Consumes 30% less power than rope packing
- Will not damage or undercut shafts
- Stops product loss and premature bearing failure
- Seals dust and Vapors



731 Hylton Road, Pennsauken, NJ 08110

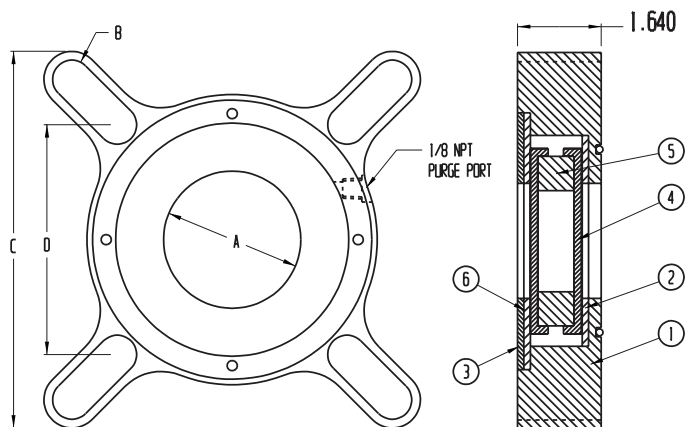
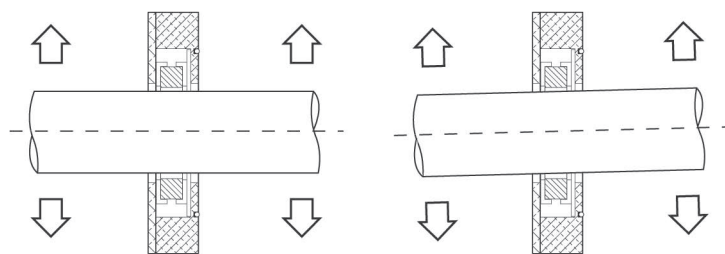
800-257-1243 • 856-662-5162 • Fax 856-662-5264 • www.cinchseal.com

TECHNICAL SPECIFICATIONS:



- Designed for C.E.M.A. screw conveyor and bulk handling equipment, the 7800 series is a self-adjusting seal.
- Temperature ranges $-50^{\circ}\text{F}/45.55^{\circ}\text{C}$ to $500^{\circ}\text{F}/260^{\circ}\text{C}$
- Bolting pattern will accommodate flange mounted bearings
- Designed to handle linear shaft growth and axial runout
- Purge with air, 5 to 8 psig above vessel pressure, or silicone grease

The **CinchSeal®** module readily accommodates a reasonable amount of shaft vibration, misalignment or wobble. The rotor cup “floats” against the face of the stator plate so any lateral shaft movement produces nothing more than a slight orbital eccentricity. The CinchSeal® is designed to handle 1/8” shaft runout in any direction.



- 1. Housing - O’ring at Inboard**
- 2. Inner Stator**
- 3. Outboard Plate**
- 4. Rotor Cup**
- 5. Elastomer Boot-Material FDA Approved**
- 6. Outer Stator Plate**

DIMENSIONAL CHART

A	B	C	D _{min}	D _{max}
1.5	.625	5.375	3.30	4.357
2.0	.750	6.500	4.00	5.390
2.437	.750	7.375	4.50	6.275
3.0	.880	7.875	5.50	6.670
3.437	.880	9.250	6.76	8.000

Confidential, Patent Pending. These drawings and specifications are the property of CinchSeal LLC. Not to be released, or used for any manufacturing or sales without written permission.
Other sizes and metric available

731 Hylton Road, Pennsauken, NJ 08110

800-257-1243 • 856-662-5162 • Fax 856-662-5264 • www.cinchseal.com